



**ES-9950 96 x 96 1/4 DIN
With Analogue Set Temperature Controller**

- *J type Thermocouple Input or ,
K type Thermocouple Input or ,
R type Thermocouple Input or ,
S type Thermocouple Input or ,
2 or 3-wire PT 100 Input (It must be determined in order)*
- *ON/OFF operation*
- *Hysteresis value configurable with Jumper (It must be determined in order)*

ABOUT INSTRUCTION MANUAL

Instruction manual of ES-9950 Analogue Temperature Controller consists of two main sections. Explanation of these sections are below. Also, there are other sections which include order information and technical specifications of the device. All titles and page numbers in instruction manual are in “**CONTENTS**” section. User can reach to any title with section number.

Installation:

In this section, physical dimensions of the device, panel mounting, electrical wiring, physical and electrical installation of the device to the system are explained.

Operation :

In this section, user interface of the device, definitions of operation form are explained.

Also in these sections, there are warnings to prevent serious injury while doing the physical and electrical mounting or using the device.

Explanation of the symbols which are used in these sections are given below.



This symbol is used for safety warnings. User must pay attention to these warnings.



This symbol is used to determine the dangerous situations as a result of an electric shock. User must pay attention to these warnings definitely.



This symbol is used to determine the important notes about functions and usage of the device.

CONTENTS

1.PREFACE	Page	5
1.1 GENERAL SPECIFICATIONS		
1.2 ORDERING INFORMATION		
1.3 WARRANTY		
1.4 MAINTENANCE		
2.INSTALLATION	Page	7
2.1 GENERAL DESCRIPTION		
2.2 DIMENSIONS		
2.3 PANEL CUT-OUT		
2.4 ENVIRONMENTAL RATINGS		
2.5 PANEL MOUNTING		
2.6 INSTALLATION FIXING CLAMP		
2.7 REMOVING FROM THE PANEL		
3.ELECTRICAL WIRINGS	Page	12
3.1 TERMINAL LAYOUT AND CONNECTION INSTRUCTIONS		
3.2 ELECTRICAL WIRING DIAGRAM		
3.3 VIEW OF THE DEVICE LABEL		
3.4 SUPPLY VOLTAGE INPUT CONNECTION OF THE DEVICE		
3.5 TEMPERATURE SENSOR INPUT CONNECTION		
3.5.1 TC (THERMOCOUPLE) CONNECTION		
3.5.2 RTD CONNECTION		
3.6 GALVANIC ISOLATION TEST VALUES OF ES-9950 ANALOGUE TEMPERATURE CONTROLLER		
3.7 RELAY OUTPUT CONNECTION		
4.FRONT PANEL DEFINITION AND OPERATION SETTINGS	Page	18
4.1 FRONT PANEL DEFINITION		
4.2 OPERATION SETTINGS		
4.2.1 SET VALUES		
4.2.2 ADJUSTMENT OF HYSTERESIS VALUE		
5.SPECIFICATIONS	Page	21

EU DECLARATION OF CONFORMITY

Manufacturer Company Name : Emko Elektronik A.S.

Manufacturer Company Address: DOSAB, Karanfil Sokak, No:6, 16369 Bursa, Turkiye

The manufacturer hereby declares that the product conforms to the following standards and conditions.

Product Name : Analogue Temperature Controller

Model Number : ES-9950

Type Number : ES-9950

Product Category : Electrical equipment for measurement, control and Laboratory use

Conforms to the following directives :

73 / 23 / EEC The Low Voltage Directive as amended by 93 / 68 / EEC

89 / 336 / EEC The Electromagnetic Compatibility Directive

Has been designed and manufactured according to the following specifications

EN 61000-6-4:2001 EMC Generic Emission Standard for the Industrial Environment

EN 61000-6-2:2001 EMC Generic Immunity Standard for the Industrial Environment

EN 61010-1:2001 Safety Requirements for electrical equipment for measurement, control and laboratory use

1. Preface

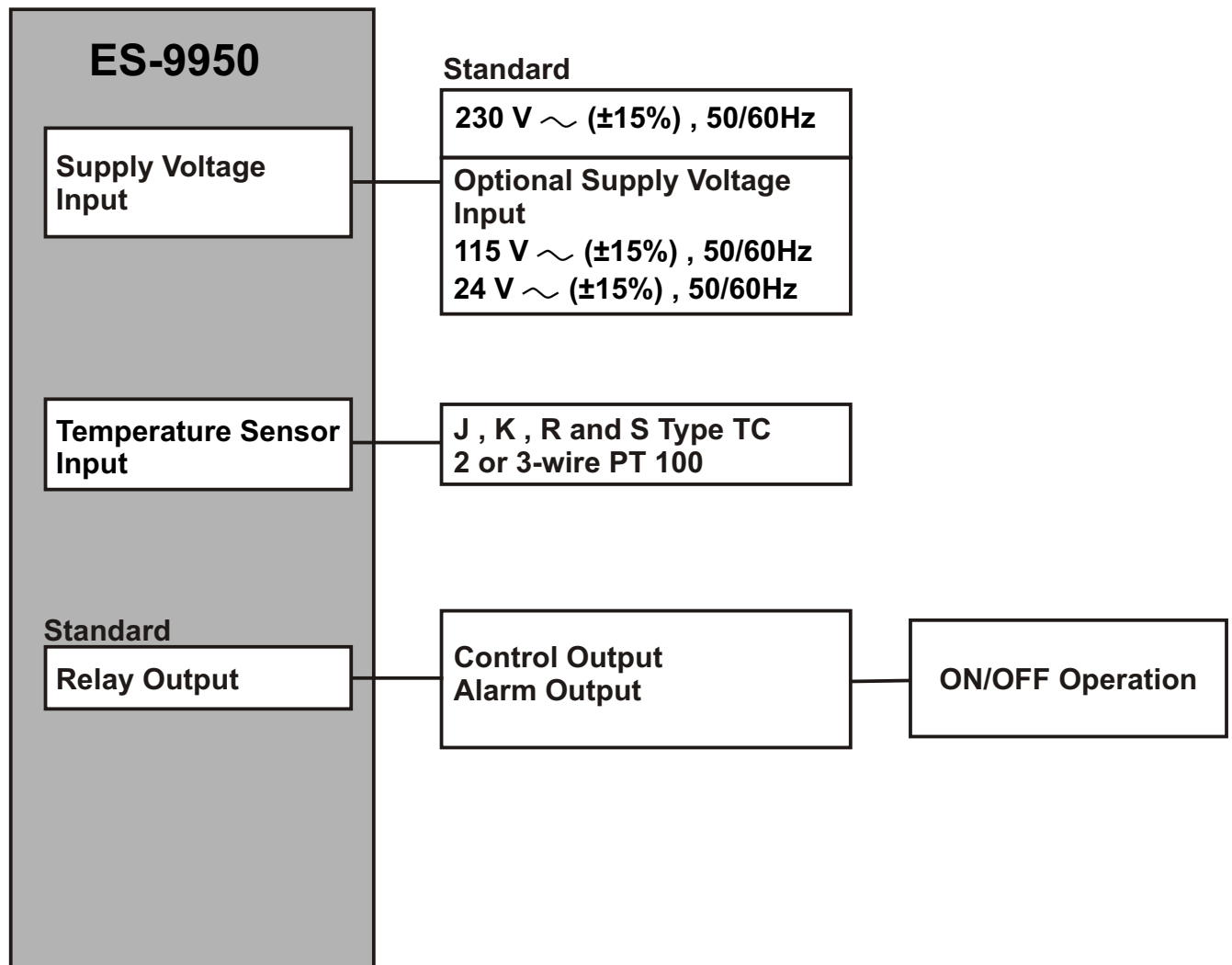
ES Series Analogue Temperature Controllers are designed for measuring and controlling temperature. They can be used in many applications with their simple and easy-use properties, On / Off control form.

Some application fields which they are used are below:

Application Fields

Glass
Plastic
Petro-Chemistry
Textile
Automotive
Machine production industries

1.1 General Specifications



1.2 Ordering Information

ES-9950 (96x96 1/4 DIN)	A	BC	D	E	/	FG	HI	/	U	V	W	Z
			0	1	/	00	00	/		0	0	0

A	Supply Voltage
3	24V \sim ($\pm 15\%$) 50/60Hz
4	115V \sim ($\pm 15\%$) 50/60Hz
5	230V \sim ($\pm 15\%$) 50/60Hz
9	Customer

BC	Input Type	Scale(°C)
01	PT 100 , IEC751(ITS90)	-100.0°C 100.0°C
02	PT 100 , IEC751(ITS90)	0.0°C 200.0°C
03	PT 100 , IEC751(ITS90)	0°C 400°C
04	J ,Fe CuNi IEC584.1(ITS90)	0°C 400°C
05	J ,Fe CuNi IEC584.1(ITS90)	0°C 800°C
06	K ,NiCr Ni IEC584.1(ITS90)	0°C 1200°C
07	S ,Pt10%Rh Pt IEC584.1(ITS90)	0°C 1600°C
08	R ,Pt13%Rh Pt IEC584.1(ITS90)	0°C 1600°C

E	Output-1
1	Relay Output (5A@250V \sim , 1 NO + 1 NC)

U	Hysteresis
2	1% of full scale
3	2% of full scale

All order information of ES-9950 Analogue Temperature Controller are given on the table at left. User may form appropriate device configuration from information and codes that at the table and convert it to the ordering codes.

Firstly, supply voltage then other specifications must be determined. Please fill the order code blanks according to your needs.

Please contact us, if your needs are out of the standards.



\sim Symbol means Vac,
 \equiv Symbol means Vdc

1.3 Warranty

EMKO Elektronik warrants that the equipment delivered is free from defects in material and workmanship. This warranty is provided for a period of two years. The warranty period starts from the delivery date. This warranty is in force if duty and responsibilities which are determined in warranty document and instruction manual performs by the customer completely.

1.4 Maintenance

Repairs should only be performed by trained and specialized personnel. Cut power to the device before accessing internal parts.

Do not clean the case with hydrocarbon-based solvents (Petrol, Trichlorethylene etc.). Use of these solvents can reduce the mechanical reliability of the device. Use a cloth dampened in ethyl alcohol or water to clean the external plastic case.

2. Installation



Before beginning installation of this product, please read the instruction manual and warnings below carefully.

In package ,

- One piece unit
- Two pieces mounting clamps
- One piece instruction manual

A visual inspection of this product for possible damage occurred during shipment is recommended before installation. It is your responsibility to ensure that qualified mechanical and electrical technicians install this product.

If there is danger of serious accident resulting from a failure or defect in this unit, power off the system and separate the electrical connection of the device from the system.

The unit is normally supplied without a power switch or a fuse. Use power switch and fuse as required.

Be sure to use the rated power supply voltage to protect the unit against damage and to prevent failure.

Keep the power off until all of the wiring is completed so that electric shock and trouble with the unit can be prevented.

Never attempt to disassemble, modify or repair this unit. Tampering with the unit may results in malfunction, electric shock or fire.

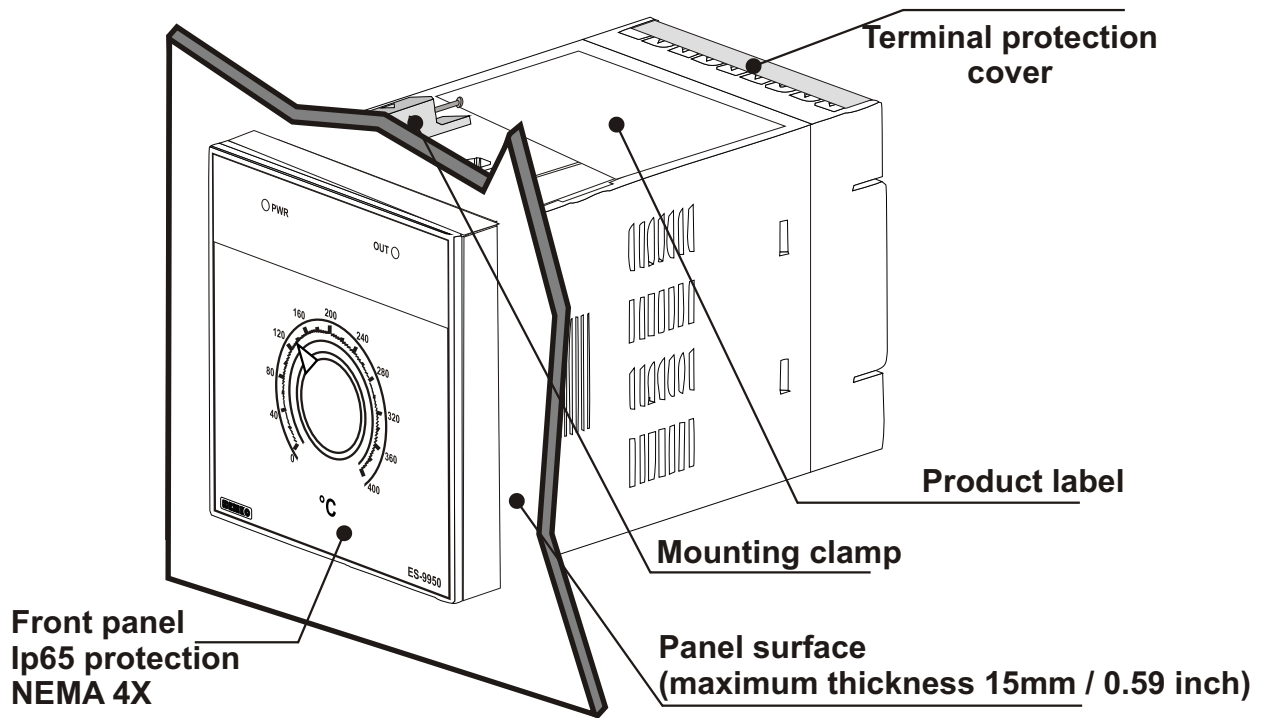
Do not use the unit in combustible or explosive gaseous atmospheres.

During the equipment is putted in hole on the metal panel while mechanical installation some metal burrs can cause injury on hands, you must be careful.

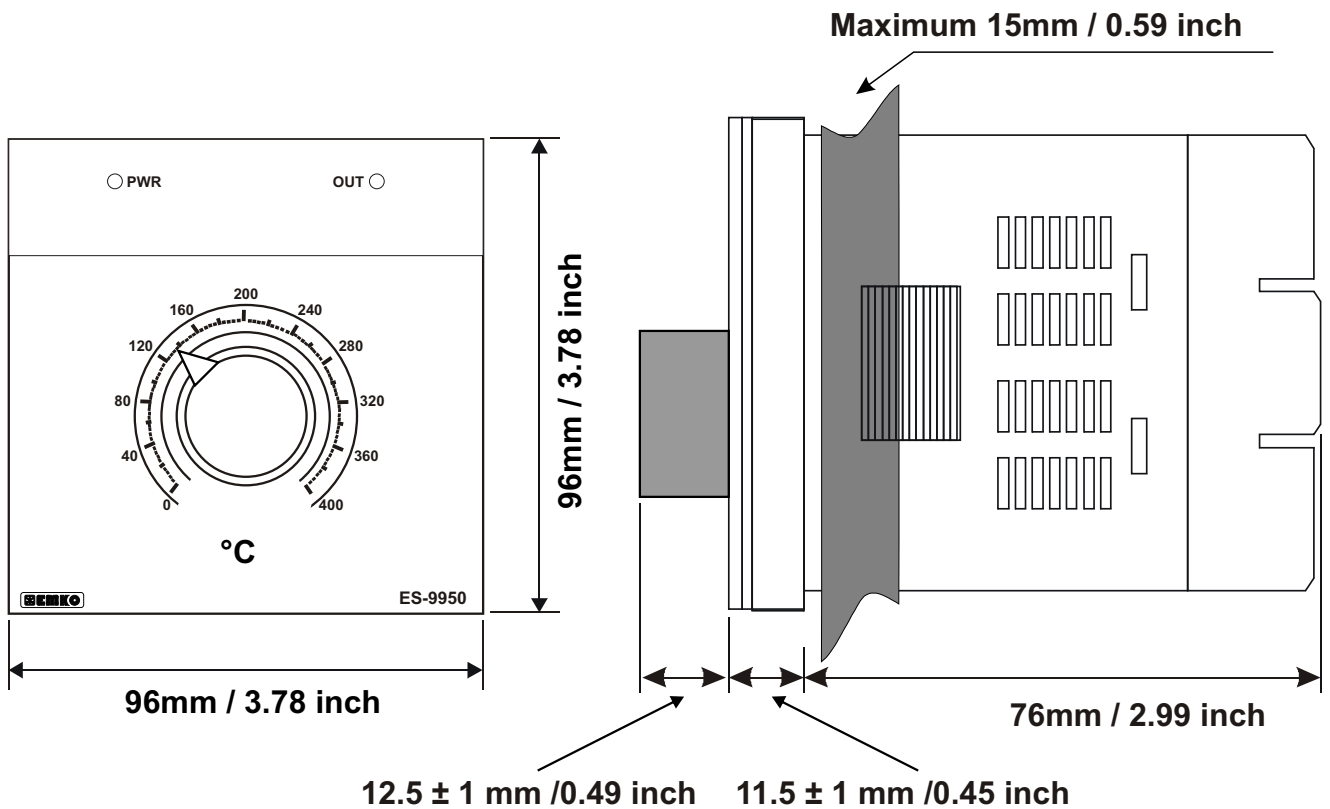
Montage of the product on a system must be done with it's own fixing clamps. Do not do the montage of the device with inappropriate fixing clamps. Be sure that device will not fall while doing the montage.

It is your responsibility if this equipment is used in a manner not specified in this instruction manual.

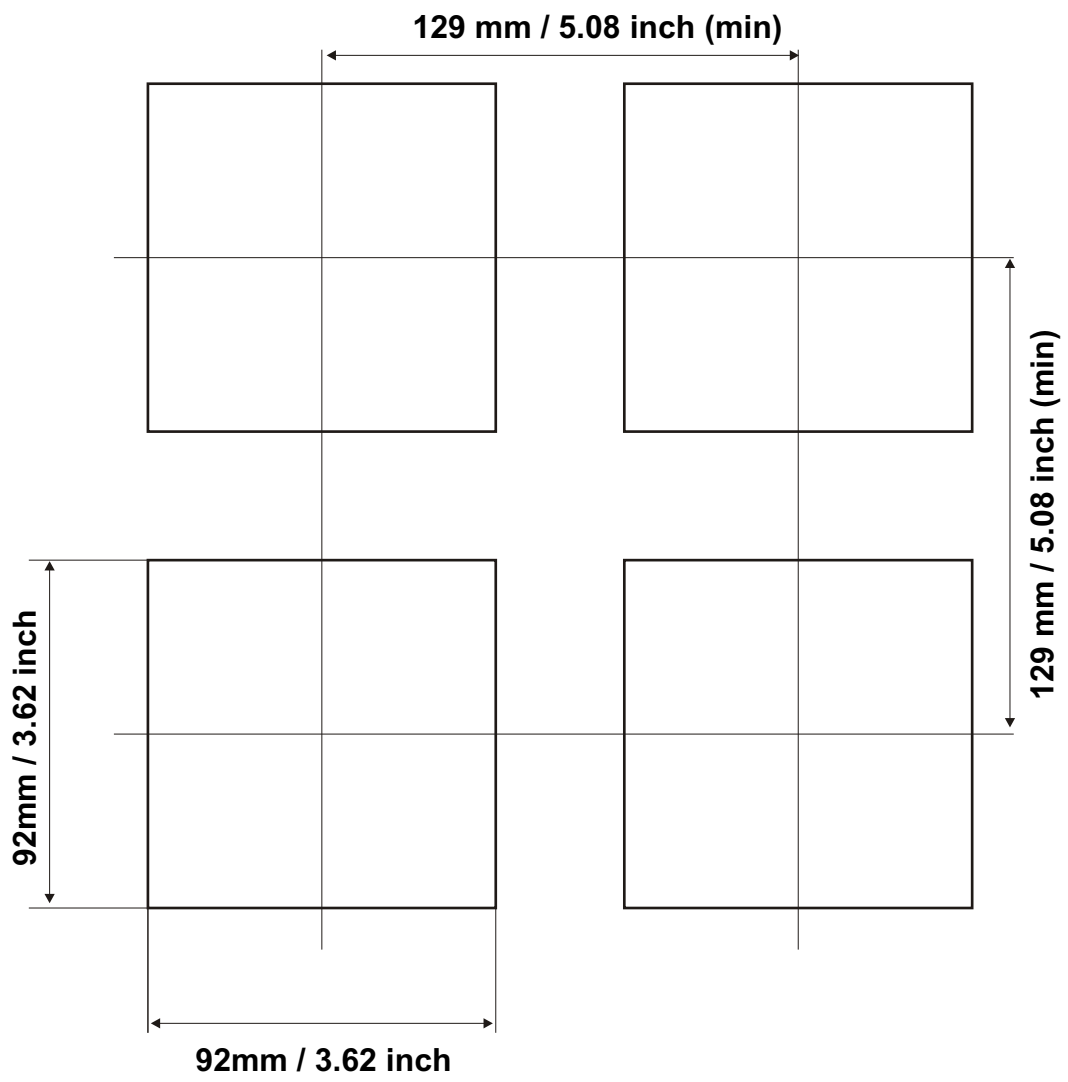
2.1 General Description



2.2 Dimensions



2.3 Panel Cut-Out



2.4 Environmental Ratings

Operating Conditions



Operating Temperature : 0 to 50 °C



Max. Operating Humidity : 90% Rh (non-condensing)



Altitude : Up to 2000m.



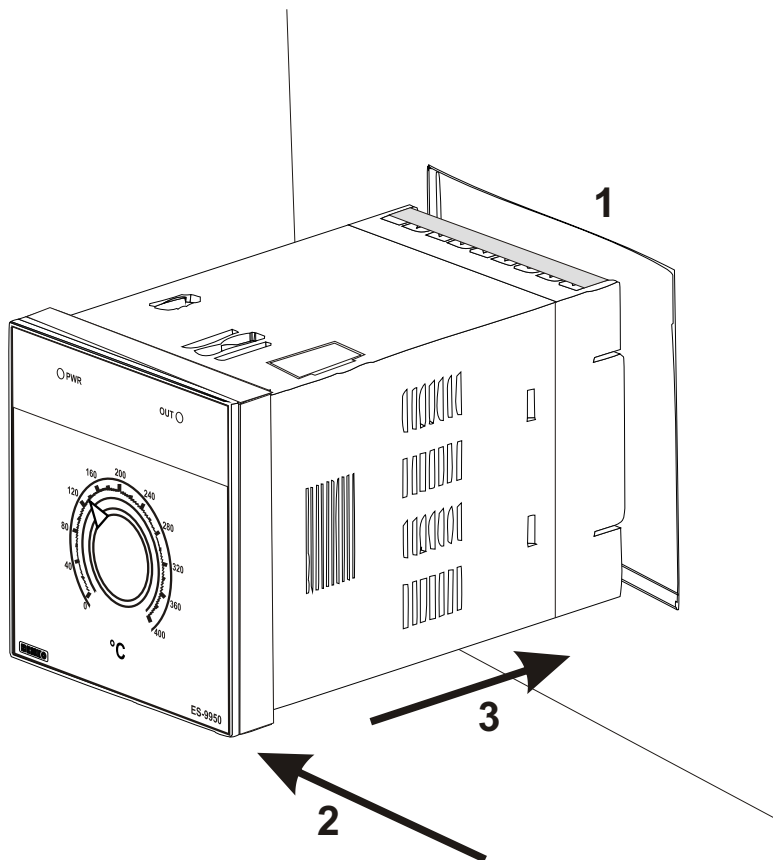
Forbidden Conditions:

Corrosive atmosphere

Explosive atmosphere

Home applications (The unit is only for industrial applications)

2.5 Panel Mounting



1-Before mounting the device in your panel, make sure that the cut-out is of the right size.

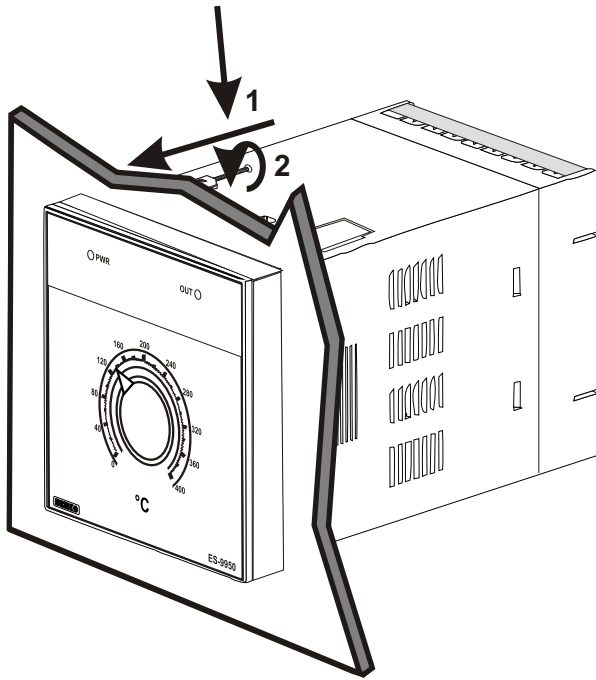
2-Check front panel gasket position

3-Insert the device through the cut-out. If the mounting clamps are on the unit, put out them before inserting the unit to the panel.



During installation into a metal panel, care should be taken to avoid injury from metal burrs which might be present. The equipment can loosen from vibration and become dislodged if installation parts are not properly tightened. These precautions for the safety of the person who does the panel mounting.

2.6 Installation Fixing Clamp



The unit is designed for panel mounting.

1-Insert the unit in the panel cut-out from the front side.

2- Insert the mounting clamps to the holes that located top and bottom sides of device and screw up the fixing screws until the unit completely immobile within the panel

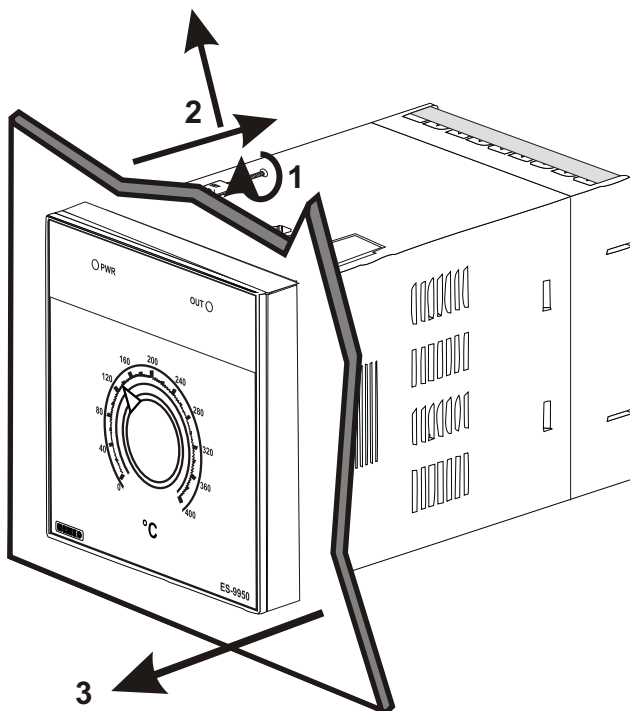


Montage of the unit to a system must be done with it's own fixing clamps. Do not do the montage of the device with inappropriate fixing clamps. Be sure that device will not fall while doing the montage.

2.7 Removing from the Panel



Before starting to remove the unit from panel, power off the unit and the related system.



1-Loosen the screws.

2-Pull mounting clamps from top and bottom fixing sockets.

3-Pull the unit through the front side of the panel

3. Electrical Wirings



You must ensure that the device is correctly configured for your application. Incorrect configuration could result in damage to the process being controlled, and/or personal injury. It is your responsibility, as the installer, to ensure that the configuration is correct.

Device parameters has factory default values. These parameters must be set according to the system's needs.



Only qualified personnel and technicians should work on this equipment. This equipment contains internal circuits with voltage dangerous to human life. There is severe danger for human life in the case of unauthorized intervention.

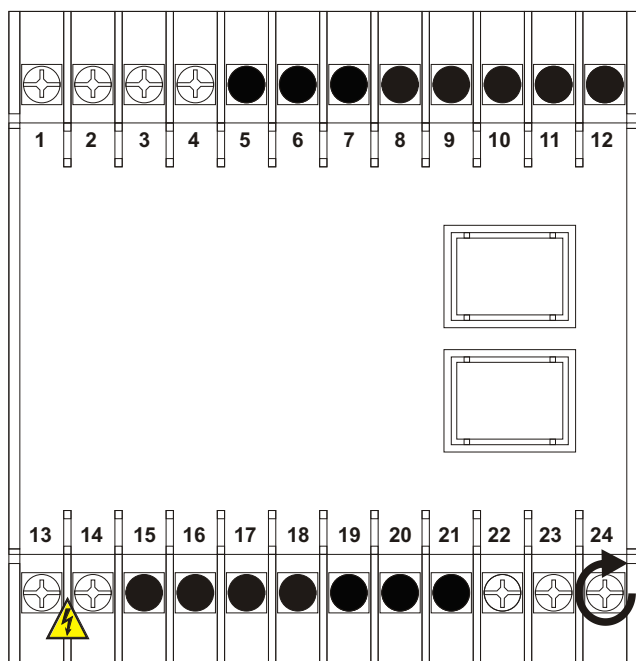


Be sure to use the rated power supply voltage to protect the unit against damage and to prevent failure.

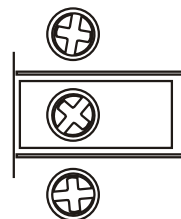


Keep the power off until all of the wiring is completed so that electric shock and trouble with the unit can be prevented.

3.1 Terminal Layout and Connection Instructions



0.5Nm



6 mm / 0.236 inch
Wire Size:
18 AWG / 1 mm²
Solid / Stranded



24 screws terminal
M3



Empty terminals



Torque 0.5 Nm

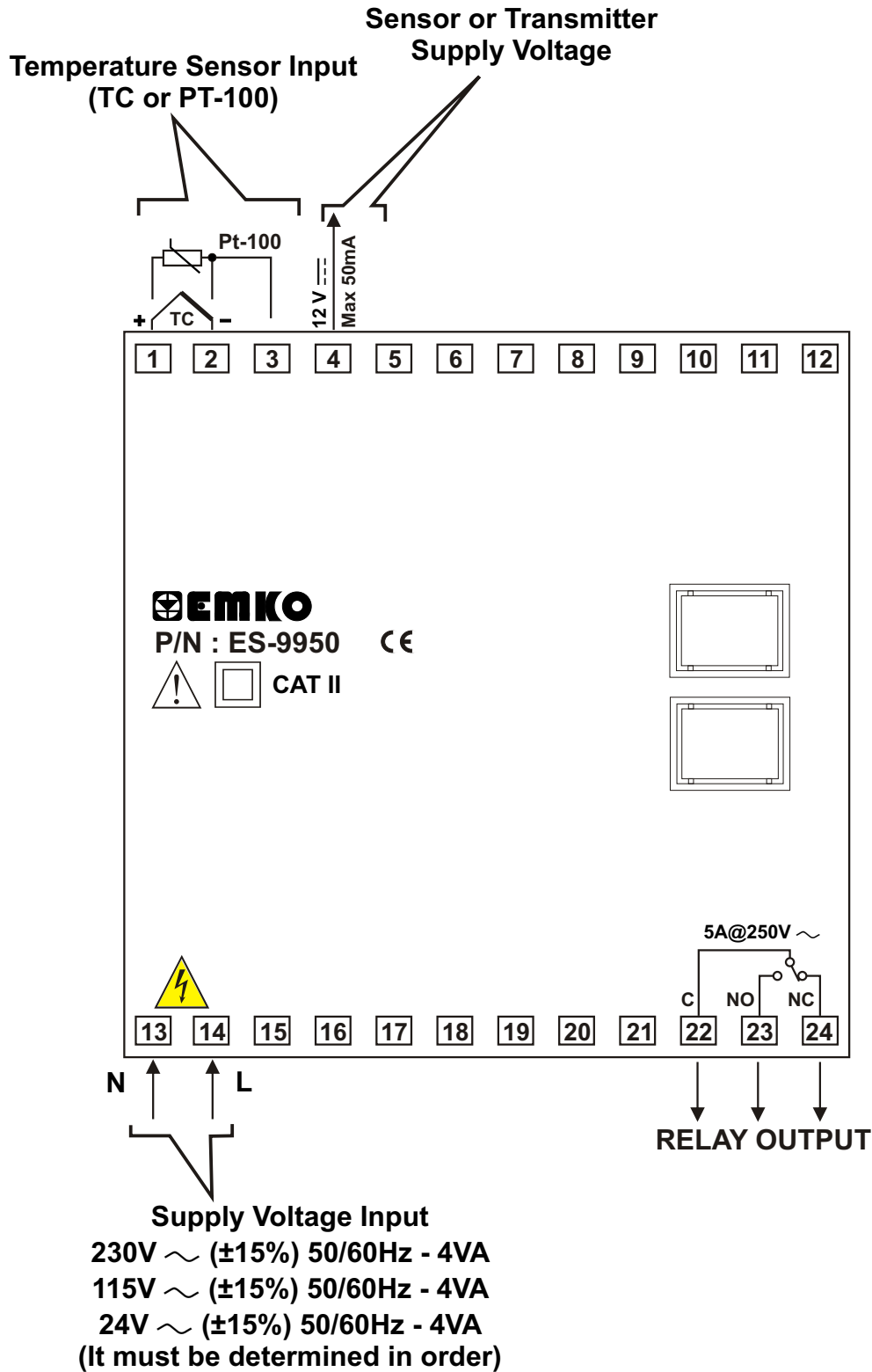


Screw driver 0.8x3mm

3.2 Electrical Wiring Diagram

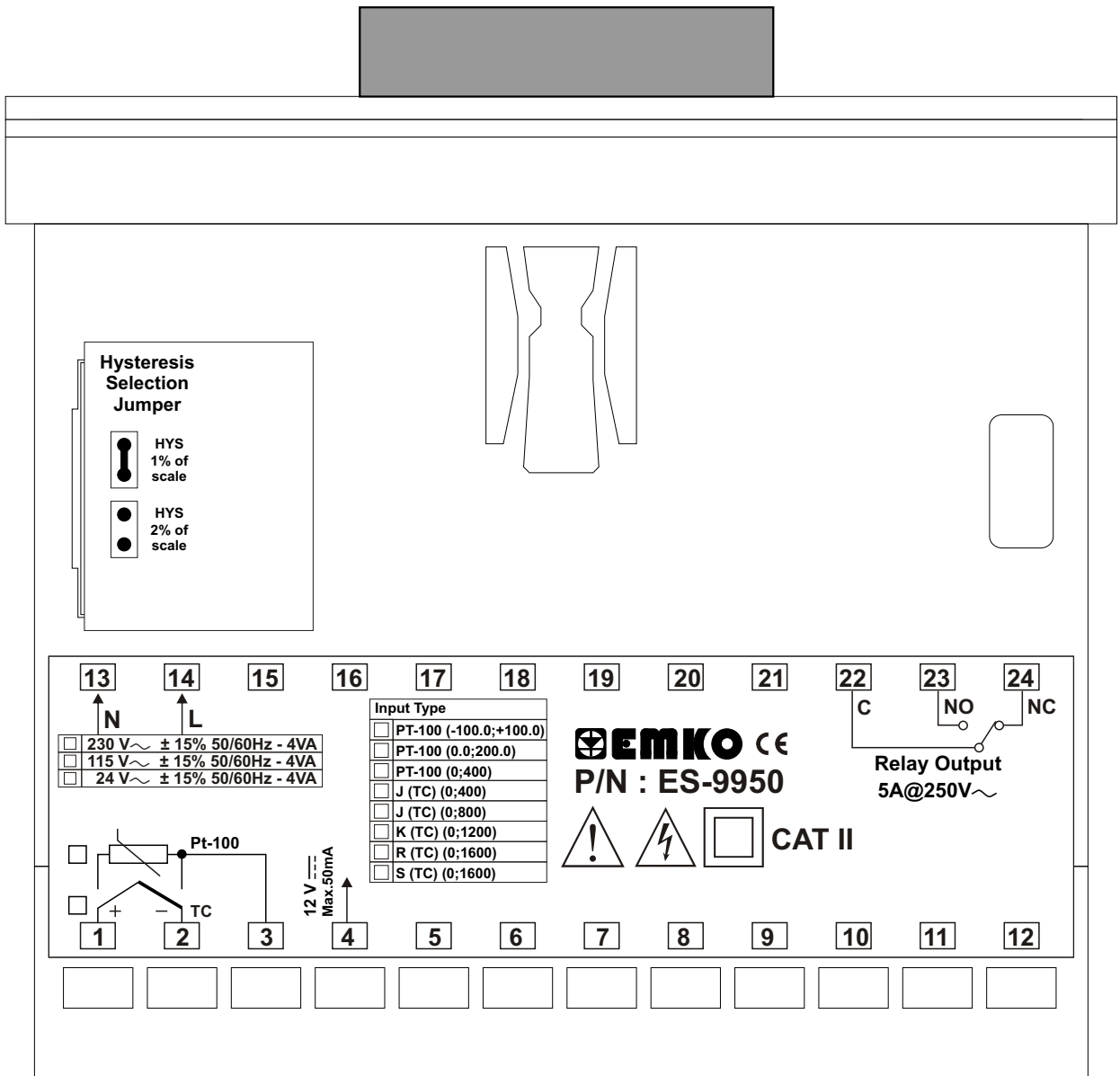


Electrical wiring of the device must be the same as 'Electrical Wiring Diagram' below to prevent damage to the process being controlled and personnel injury.

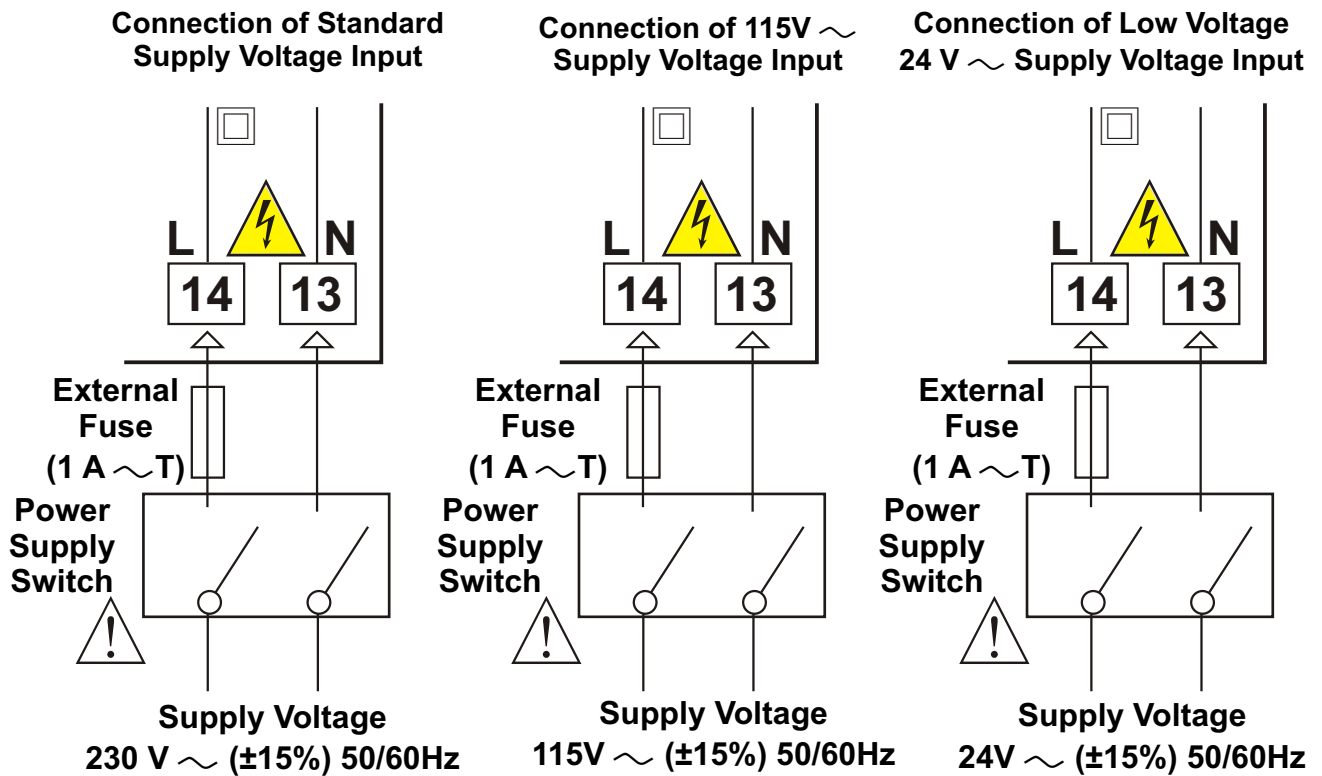


Temperature Sensor Input is in CAT II class

3.3 View of the Device Label



3.4 Supply Voltage Input Connection of the Device



Supply voltage range must be determined in order. While installing the unit, supply voltage range must be controlled and appropriate supply voltage must be applied to the unit. Controlling prevents damages in unit and system and possible accidents as a result of incorrect supply voltage.



There is no power switch or fuse on the device. So a power switch and a fuse must be added to the supply voltage input. Power switch and fuse must be put to a place where user can reach easily.



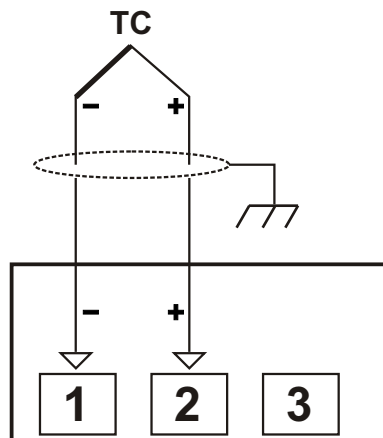
Power switch must be two poled for separating phase and neutral. On/Off condition of power switch is very important in electrical connection. On/Off condition of power switch must be signed for preventing the wrong connection.





External fuse must be on phase connection in \sim supply input.

3.5 Temperature Sensor Input Connection

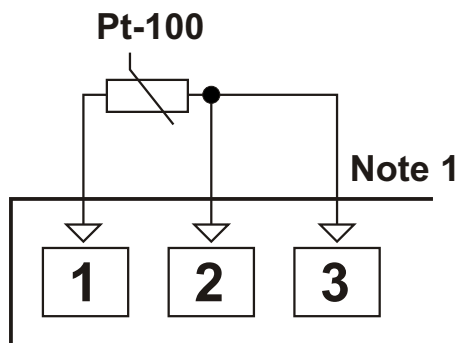
3.5.1 TC (Thermocouple) Connection



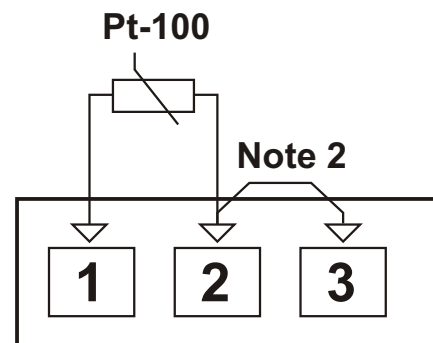
Connect the wires with the polarity as shown in the figure left.

-  Always use compensation wire corresponding to the thermocouple used. If present, the shield must be connected to a proper ground.
-  Input resistance is greater than $10M\ \Omega$.

3.5.2 RTD Connection



3-wire Pt-100 connection
(with line compensation)
(Max. Line impedance is $10\ \Omega$)



2-wire Pt-100 connection
(without line compensation)

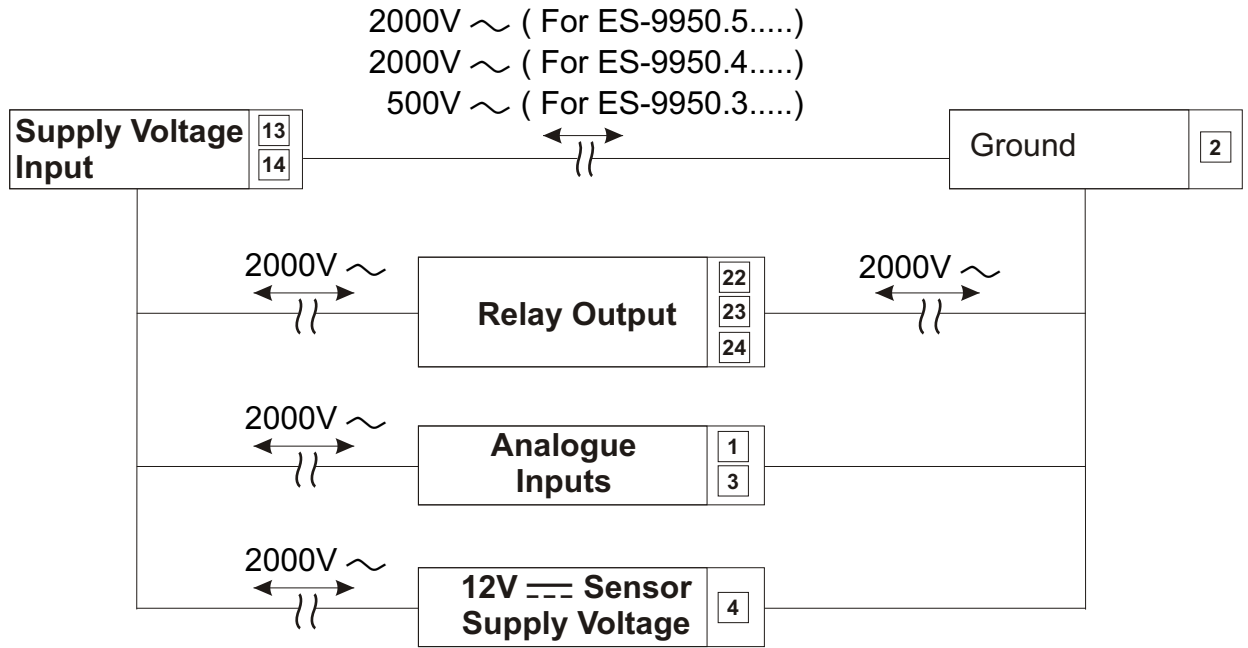
Note 1 : In 3-wire system, use always cables of the same diameter (min 1mm^2) Always use wires of the same gauge and type whether a 2-wire or 3-wire system.

Note 2 : Install a jumper between terminals 2 and 3 when using a 2-wire RTD.

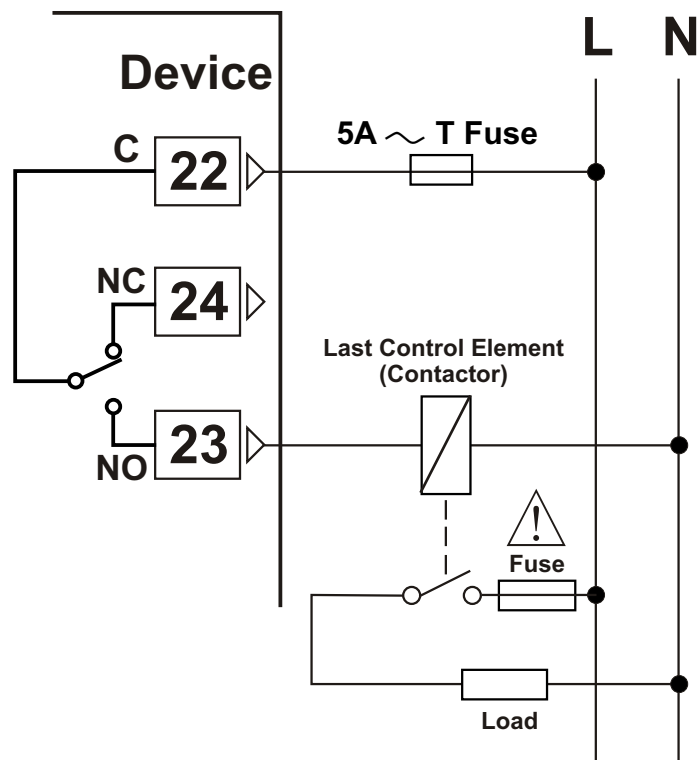
Note 3 : If the distance is longer than 10 meters, use 3-wire system

-  Input resistance is greater than $10M\ \Omega$.

3.6 Galvanic Isolation Test Values of ES-9950 Analogue Temperature Controller



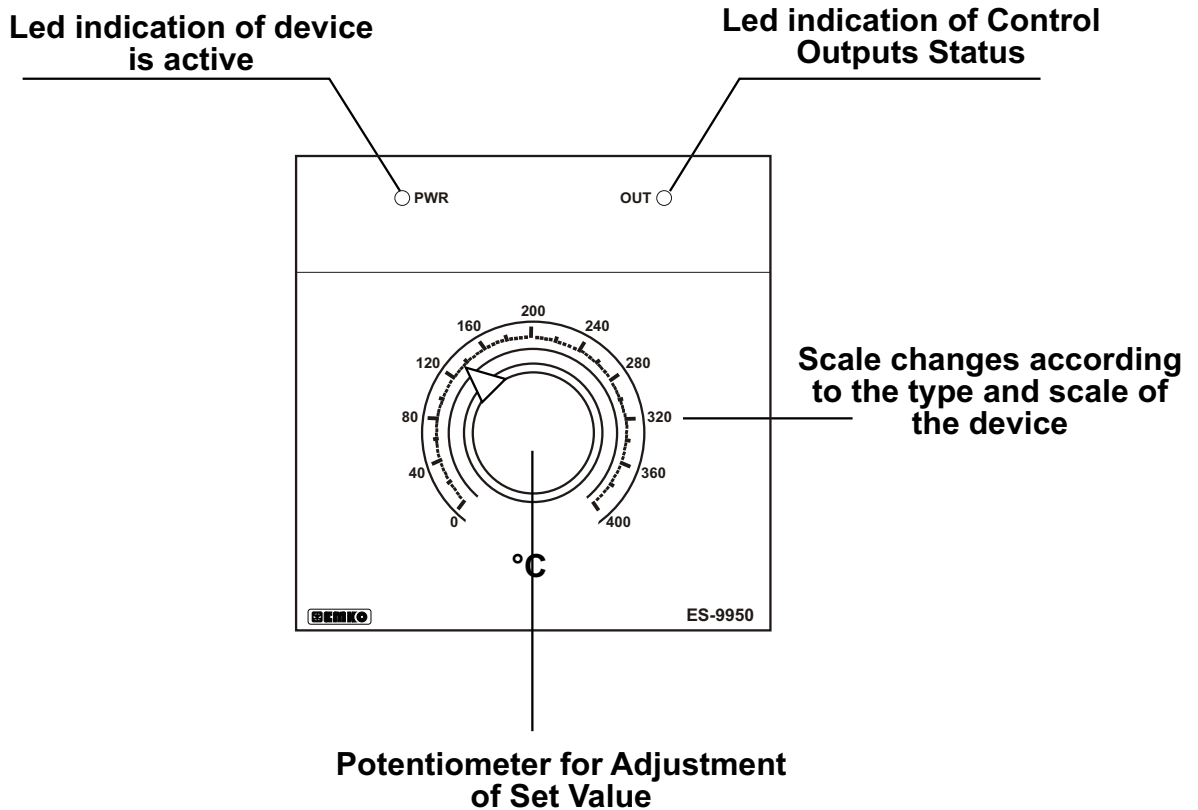
3.7 Relay Output Connection



Fuses must be selected according to the applications

4. Front Panel Definition and Operation Settings

4.1 Front Panel Definition



4.2 Operation Settings

4.2.1 Set Values

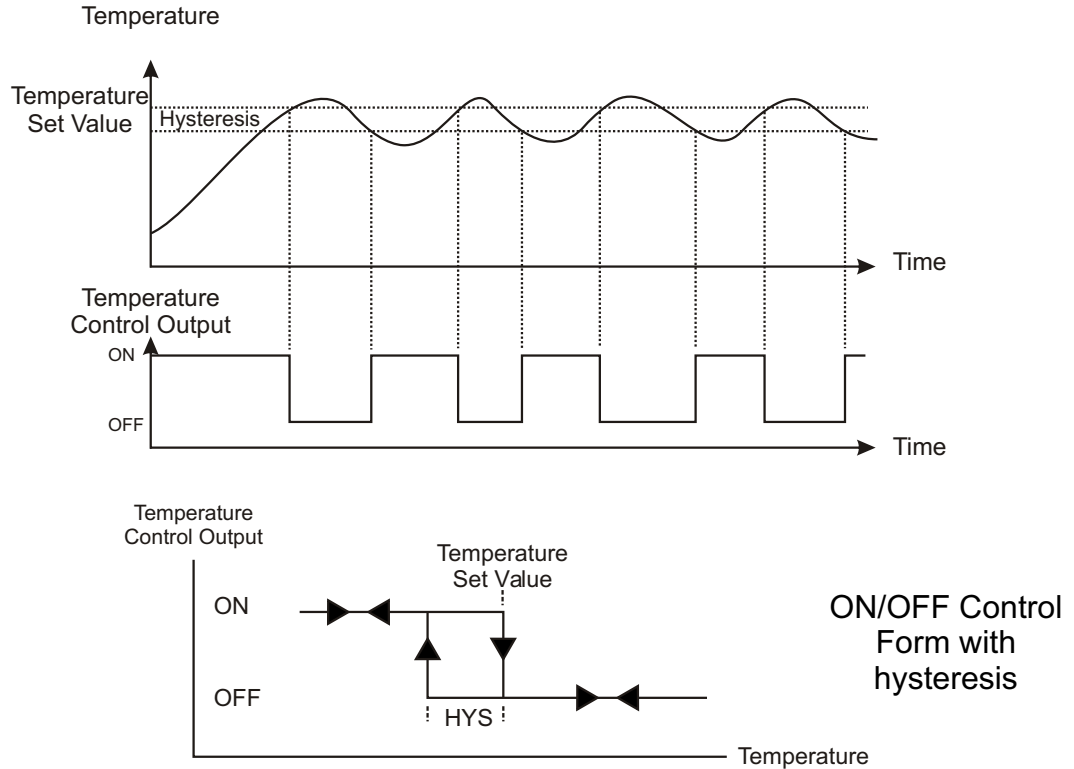
Set value can be adjusted with Set Value Adjustment Potentiometer that is on the front panel. Set value range changes according to the type and scale of the device. Minimum and maximum values of Set value according to the device type are given below:

Set Values according to the Type and Scale of the Device

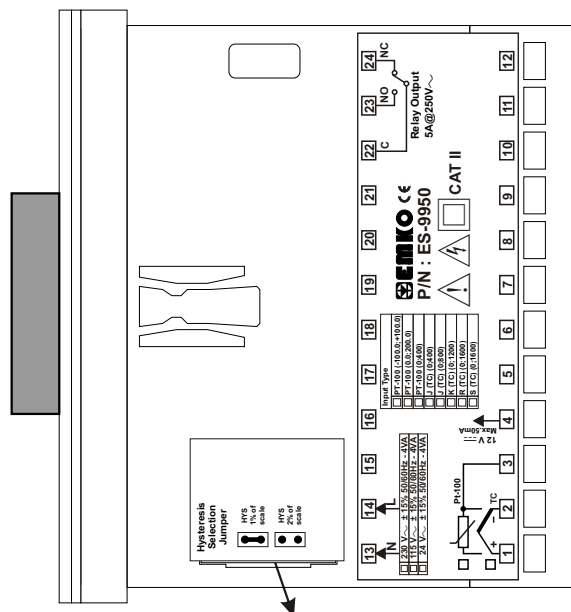
For PT-100 (-100.0 to 100.0)°C
For PT-100 (0.0 to 200.0)°C
For PT-100 (0 to 400)°C
For J Type TC (0 to 400)°C
For J Type TC (0 to 800)°C
For K Type TC (0 to 1200)°C
For R Type TC (0 to 1600)°C
For S Type TC (0 to 1600)°C

4.2.2 Adjustment of Hysteresis Value

In ON/OFF control algorithm, temperature value is tried to keep equal to set value by opening or closing completely last control element. ON/OFF controlled system, temperature value oscillates continuously. Temperature value's oscillation period or amplitude around set value changes according to controlled system. For reducing oscillation period of temperature value, a threshold zone is formed below or around set value and this zone is named hysteresis. Action of control output is described with figures below.





In operation with ON/OFF Control form; hysteresis value can be adjusted with Jumper on the device (It must be determined in order)



Jumper is under cover and cover is on top side of the device

Hysteresis Value Selection(It must be determined in order)

	1% of full scale is selected
	2% of full scale is selected

Minimum and maximum value of hysteresis according to the type and scale of the device are given below:

If 1% of full scale is selected with Jumper, then hysteresis;

For PT-100 (-100.0 to 100.0)°C : (0.0 to 2.0)°C
For PT-100 (0.0 to 200.0)°C : (0.0 to 2.0)°C
For PT-100 (0 to 400)°C : (0 to 4)°C
For J Type TC (0 to 400)°C : (0 to 4)°C
For J Type TC (0 to 800)°C : (0 to 8)°C
For K Type TC (0 to 1200)°C : (0 to 12)°C
For R Type TC (0 to 1600)°C : (0 to 16)°C
For S Type TC (0 to 1600)°C : (0 to 16)°C

If 2% of full scale is selected with Jumper, then hysteresis;

For PT-100 (-100.0 to 100.0)°C (0.0 to 4.0)°C
For PT-100 (0.0 to 200.0)°C : (0.0 to 4.0)°C
For PT-100 (0 to 400)°C : (0 to 8)°C
For J Type TC (0 to 400)°C : (0 to 8)°C
For J Type TC (0 to 800)°C : (0 to 16)°C
For K Type TC (0 to 1200)°C : (0 to 24)°C
For R Type TC (0 to 1600)°C : (0 to 32)°C
For S Type TC (0 to 1600)°C : (0 to 32)°C

6. Specifications

Device Type	: Analogue Temperature Controller
Housing&Mounting	: 96mm x 96mm x 100mmmm 1/4 DIN 43700 plastic Housing for panel mounting. Panel cut-out is 92x92mm.
Protection Class	: NEMA 4X (Ip65 at front, IP20 at rear).
Weight	: Approximately 0.40 Kg.
Environmental Ratings	: Standard, indoor at an altitude of less than 2000 meters with none condensing humidity.
Storage/Operating Temperature	: -40 °C to +85 °C / 0 °C to +50 °C
Storage/Operating Humidity	: 90 % max. (None condensing)
Installation	: Fixed installation
Overvoltage Category	: II
Pollution Degree	: II, office or workplace, none conductive pollution
Operating Conditions	: Continuous
Supply Voltage and Power	: 230V ~ (±15%) 50/60 Hz. 4VA 115V ~ (±15%) 50/60 Hz. 4VA 24V ~ (±15%) 50/60 Hz. 4VA
Temperature Sensor Inputs	: TC, RTD
Thermocouple Input Types	: J, K , R , S (IEC584.1)(ITS90)
Thermoresistance Input Type	: PT-100. (IEC751)(ITS90)
Accuracy	: 1% of full scale for Thermocouple and Thermoresistance
Cold Junction Compensation	: Automatically ± 0.1°C/1°C.
Line Compensation	: Maximum 10 Ω .
Sensor Break Protection	: Upscale
Sampling Cycle	: 3 samples per second
Resolution of Set Point	: ± 0.2% of full scale
Accuracy of Set Point	: ±1% of full scale
Control Forms	: ON / OFF
Relay Output	: 5A@250V ~ (Electrical Life : 100.000 Operation (Full Load))
Led Indicators	: PWR (Green) , OUT (Red)