



Digital Potentiometer for Motor Speed Control Drivers



EPM-3790 (77x35mm)

EPM-7790 (72x72mm DIN 1/8)

- *Operation at Adjustable Set Value*
- *Ramp Function*
- *Economical*
- *Easy to Use*
- *4 Digits displays*
- *Easy adjustable set value from front panel*
- *Configurable display scale between -1999 and 9999*
- *Adjustable decimal point*
- *Set value low limit and Set value high limit boundaries*
- *Adjustable ramp up and ramp down time*
- *Forward, Reverse direction outputs and error input for V/F Speed Controller*
- *0/2...10V===Voltage output or 0/4...20mA===Current output (It must be determined in order.)*
- *Password protection for sections*

SPECIFICATIONS

SCALE

Configurable between -1999 and 9999

OUTPUT

Analogue Output:

0/2...10V===Voltage Output (Max. 10mA) or

0/4...20mA===Current Output

Digital Outputs:

Forward Output (Max. 5mA@30V===)

Reverse Output (Max. 5mA@30V===)

INPUT

Digital Input:

Error Input

RESOLUTION

12 bit

FLUCTUATION

Max. 30mV

SUPPLY VOLTAGE

100-240V~(-%15; +%10) 50/60 Hz -2VA

24V~(-%15; +%10) 50/60 Hz -2VA

(It must be determined in oder.)

ENVIRONMENTAL RATING and PHYSICAL SPECIFICATION

Operating Temperature: 0...50°C

Humidity: 0-90%RH (none condensing)

Protection Class: IP65 at front, IP20 at rear

Dimensions:

EPM-3790 : 77 x 35mm, Depth: 62.5 mm

EPM-7790 : 72 x 72mm, Depth: 95.5 mm

Ordering Information

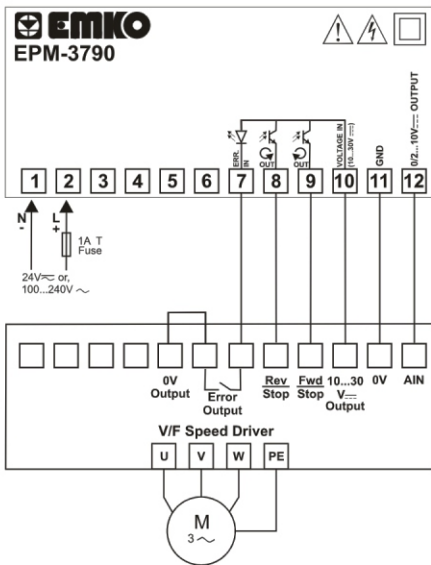
EPM-3790 (77x35 DIN Size)
EPM-7790 (72x72 DIN Size)

A	BC	D	E	/	FG	HI	/	U	V	W	Z
	0	0		/	00	00	/	1	0	0	0

A Supply Voltage	
1	100...240V ~ (- %15;+%10) 50/60Hz
2	24V~(-%15;+%10) 50/60Hz 24V===(-%15;+%10)
9	Customer

E Output	
4	Current Output (0/4...20mA ===)
5	Voltage Output (0/2...10V === Max. 10mA)

Electrical Wiring (EPM 3790)



Electrical Wiring (EPM 7790)

