

Relative Humidity & Temperature Transmitters

- Metal housing
- Industrial solutions
- Integrated display for Temp. and RH (HT-780 series)
- Different probe length possible
- Connector for easy Replacement (HT-780 series)
- High Temperature Models up to 150°C (300°F)
- 2-Wire 4-20mA Output (HT-741 and HT-780 series)
- User-Selectable outputs, Volt and mA(HT-740 series)
- User-Selectable Temperature Ranges (HT-740/741 series)

TYPICAL APPLICATIONS

- | | |
|-----------------|--------------------|
| Climate rooms | Warehouses |
| Incubators | HVAC installations |
| Bakery machines | Energy management |
| Greenhouses | |

The relative humidity transmitter continuously measures the ambient humidity and provides an analog output directly proportional to the Relative Humidity.

SPECIFICATIONS: HT-780 Series 2-Wire Relative Humidity & Temperature Transmitter

Specifications Humidity

- Measuring range:** 0-100 %RH
- Operating range:** 5-95 %RH
- Output:** 4-20mA
- Accuracy @ 23°C:** ± 2 %RH
- Stability:** ± 2 %RH, 24 months, depending on environmental conditions
- Temperature drift:** ± 0.05 %RH/°C typ.
- Response time:** 10 sec. typ. (90% of the change)
- Power supply:** 8-35 V_{DC}
- Supply influence:** ± 0.01 %RH/V typ.
- Operating temp.sensor tip:** -40...150 °C

Specifications Temperature

- Range:** -50...200 °C
- Output:** 4...20mA
- Accuracy:** ± 0.2 °C typ.
- Power supply:** 8-35 V_{DC}
- Supply influence:** ± 0.01 °C/V typ.

HT-740 & HT-741 Series Relative Humidity & Temperature Transmitter

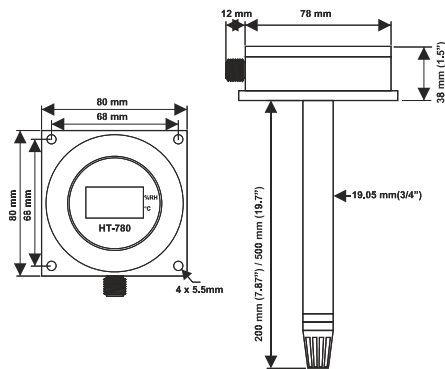
Specifications Humidity

- Measuring range:** 0-100 %RH
- Operating range:** 5-95 %RH
- Output (HT-741 series):** 4-20mA
- Output (HT-740 series):** 0...1V, 0...5V, 0...10V, 0/4...20mA user selectable, standart set at 0...10V
- Accuracy @ 25°C:** ± 2 %RH
- Stability:** ± 2 %RH, 24 months, depending on environmental conditions
- Temperature drift:** ± 0.05 %RH/°C typ.
- Response time:** 10 sec. typ. (90% of the change)
- Power supply:** 8-35 V_{DC}
- 14-35V_{DC} (for 0...5/10V_{DC} output)
- Supply influence:** ± 0.01 %RH/V typ.
- Operating temp.:** -40...150 °C

Specifications Temperature

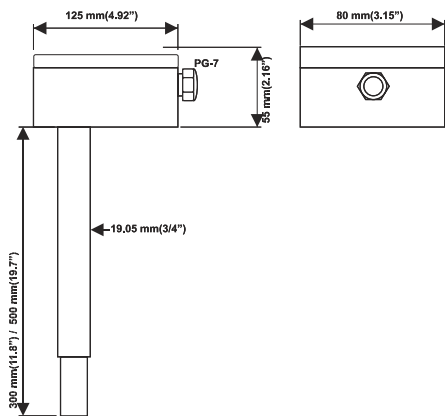
- Range:** User selectable
- Zero selection:** 10°C steps between -50...100°C
50 °C steps between -50...150°C
- Span selection:** 10°C steps between 10...160°C
50 °C steps between 50...250°C
- Output (HT-741 series):** 4-20mA
- Output (HT-740 series):** 0...1V, 0...5V, 0...10V, 0/4...20mA user selectable, standart set at 0...10V
- Accuracy:** ± 0.2 °C typ.
- Power supply:** 8-35 V_{DC}
- Supply influence:** ± 0.01 °C/V typ.

HT-780 Series Duct-Mount Types (2-wire connection)



Product Code	Measurement	Output	Probe Length	Display
HT-780-T-02	Humidity&Temperature	2 x 4...20mA	200mm	None
HT-780-T-04	Humidity&Temperature	2 x 4...20mA	500mm	None
HT-780-T-12	Humidity&Temperature	2 x 4...20mA	200mm	Yes
HT-780-T-14	Humidity&Temperature	2 x 4...20mA	500mm	Yes

HT-740/741 Series Duct Mount Types



Product Code	Measurement	Output	Connection	Probe Length
HX-740-T-02	Humidity	0...10V Note(1)	3/4 Wire	300mm
HX-740-T-03	Humidity	0...10V Note(1)	3/4 Wire	500mm
HT-740-T-02	Humidity&Temp.	2 x 0...10V Note(1)	3/4 Wire	300mm
HT-740-T-03	Humidity&Temp.	2 x 0...10V Note(1)	3/4 Wire	500mm
HX-741-T-02	Humidity	4...20mA	2 Wire	300mm
HX-741-T-03	Humidity	4...20mA	2 Wire	500mm

Accessory

Order Code	Description	
A-000020	Sintered Stainless Steel Dust Filter, dia=18.5mm	HT-780 & HT-740/741
A-000030	Connector (female) for Probe, dia=19mm & screws for cable	HT-780
A-000031	Connector (female) for Probe, dia=19mm with 2m cable	HT-780